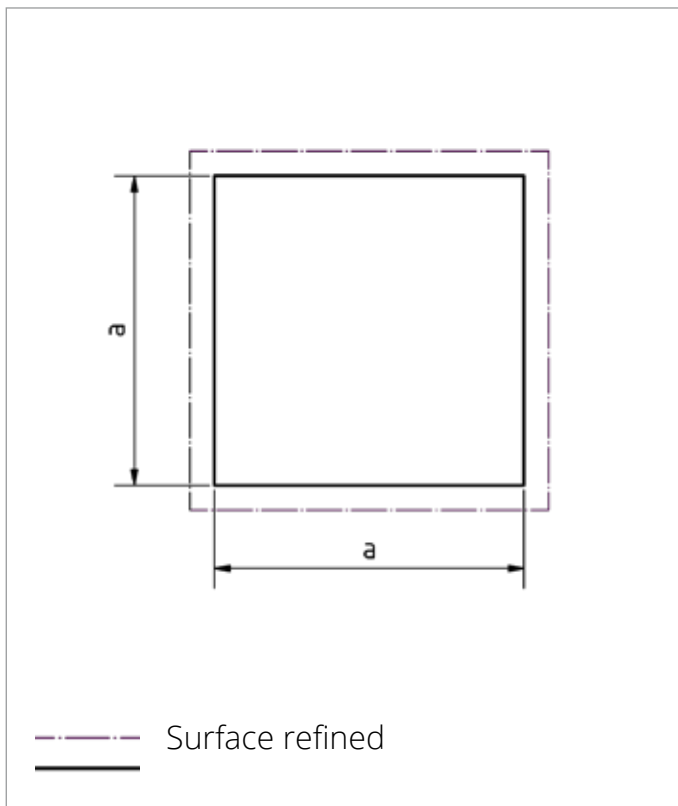


Square bars



dimension a in mm	Weight kg/m
8	0,176 kg
10	0,275 kg
12	0,396 kg
14	0,539 kg
15	0,619 kg
16	0,704 kg
18	0,891 kg
20	1,100 kg
22	1,331 kg
25	1,719 kg
30	2,475 kg

Maximum profile length*

6,000mm

material

AlMgSi0.5 F22 (EN AW 6060 T 66)

Available surfaces**

Bright chrome plated
Stainless steel colored anodized
Natural color anodized (E6EV1)

Other surfaces on request.

Hints

*) Due to manufacturing reasons, it is possible that there may be slight deviations with the maximum length of 6,000 mm.

***) Due to production reasons, it is possible that there is no surface coating on the contact surfaces at the ends of the profiles (up to 80 mm)