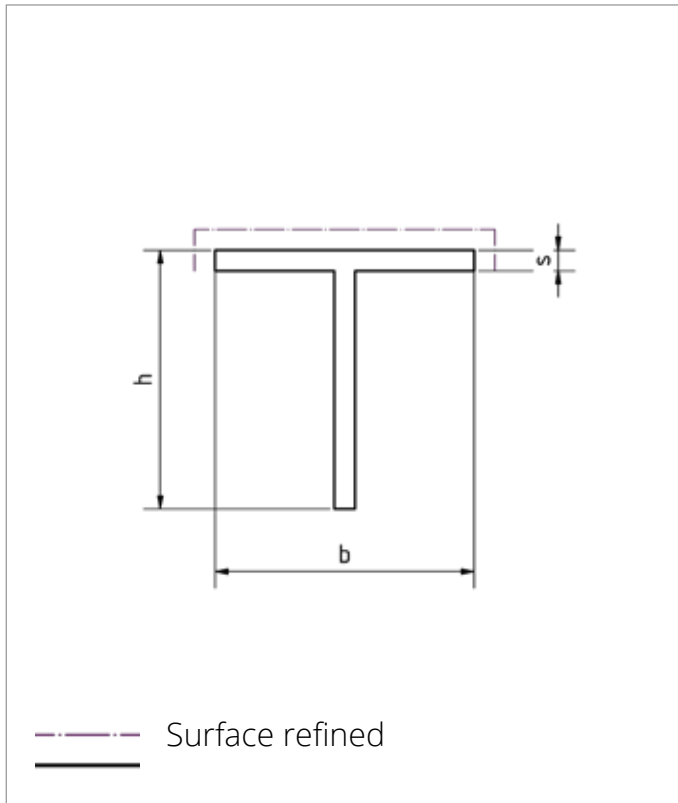


## T-Profile



dimension $h * b * s$ in mm	Weight kg/m
15 x 15 x 2	0,154 kg
20 x 20 x 2	0,209 kg
25 x 25 x 2	0,264 kg
30 x 30 x 2	0,319 kg
40 x 40 x 2	0,429 kg

### Maximum profile length\*

6,000mm

### material

AlMgSi0.5 F22 (EN AW 6060 T 66)

### Available surfaces\*\*

Bright chrome plated  
Stainless steel colored anodized  
Natural color anodized (E6EV1)

*Other surfaces on request.*

### Hints

\*) Due to manufacturing reasons, it is possible that there may be slight deviations with the maximum length of 6,000 mm.

\*\*\*) Due to production reasons, it is possible that there is no surface coating on the contact surfaces at the ends of the profiles (up to 80 mm)